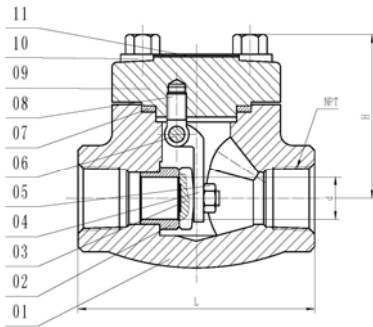


YONG YUAN VALVE

FORGED STEEL SWING CHECK VALVE

YSS SERIES



Features:

- Conventional Port
- Design and Manufacture: API602
- Threaded ends to ANSI B1.20.1(NPT)
- Socket-weld dimension: ASME B16.11
- Pressure-temperature ratings: ASME B16.34
- Inspection and Test: API598
- NACE MR-01-75

Parts & Materials

No.	Part	Material
1	BODY	Forged Carbon Steel ASTM A105
2	SEAT RING	Stainless Steel A276-420
3	DISC	Stainless Steel A276-420
4	HINGE	Stainless Steel A276-410
5	NUT	Carbon Steel A194-2H
6	ARM PIN	Stainless Steel A276-410
7	GASKET	Stainless Steel A276-304+GRAPHITE
8	YOKE	Carbon Steel ASTM A105
9	BONNET	Forged Carbon Steel ASTM A105
10	BOLT	Carbon Steel A193-B7
11	TABLET	Aluminium Alloy

Dimensions(in)

NPS	PART#	L	d	H	NPT	Weight (lbs)
1/4(FP)	YSS02A8	3.11	0.31	2.40	1/4	3.09
3/8(FP)	YSS03A8	3.11	0.41	2.40	3/8	3.31
1/2	YSS04A8	3.11	0.41	2.40	1/2	3.31
3/4	YSS05A8	3.62	0.53	2.40	3/4	3.75
1	YSS06A8	4.37	0.71	3.07	1	5.95
1-1/4	YSS07A8	4.72	0.94	3.31	1-1/4	8.29
1-1/2	YSS08A8	4.72	1.14	3.31	1-1/2	10.03
2	YSS09A8	5.51	1.44	4.72	2	18.74

TEL:0086-579-8715288
E-mail:cnyvc@cnyvc.com

0086-579-8725688
yu@cnyvc.com

FAX:0086-579-87151442
HTTP:www.oil-fieldvalve.com