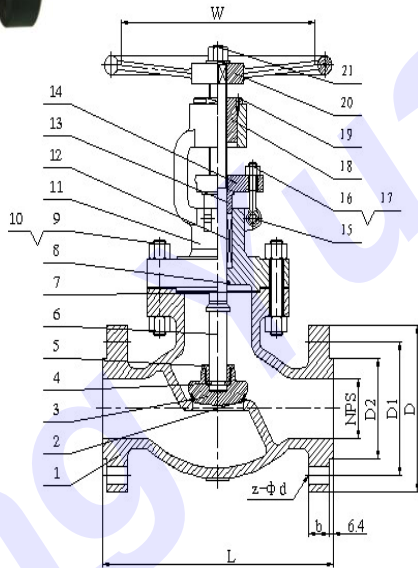


YONG YUAN VALVE

CLASS 600 GLOBE VALVE

YFGA SERIES

OS & Y, Rising Stem, Plug Disc,
Bolted, Thraded seat Ring,
ASTM A216 WCB



Standrds Compliance

1. Face to Dimensions: ANSI B 16.10
2. End Flange Dimensions: ANSI B 16.5
3. Shell wall Thickness: API 600
4. Basic Design: BS 1873
5. Design Test: API 6D

SPECIFICATIONS

NOMINAL PRESSURE	1480Psi	10.21 Mpa
SHELL STRENGTH (WATER)	2225 Psi	15.6 Mpa
SEALING TEST (WATER)	1630 Psi	11.5 Mpa
AIR SEAT PING (AIR)	80 Psi	0.55 Mpa

Parts & Materials

No.	Part	Material
1	Body	A216 WCB
2	Seat Ring	A105+STL
3	Disc	316SS
4	Thrust Plate	316SS
5	Disc Nut	316SS
6	Stem	316SS
7	Gasket	304+Wound Graphite
8	Back Seat	A216 WCB+STL
9	Cover Bolt	A193 B7
10	Cover Nut	A194 2H
11	Bonnet	A216 WCB
12	Packing	Graphite
13	Gland	A276-420
14	Gland Flange	A216 WCB
15	Pin	Carbon Steel
16	Eye Bolt	A193 B7
17	Nut	A194 2H
18	Stem Nut	ZCuAL10Fe3
19	Set Screw	Carbon Steel
20	Hand Wheel	Carbon Steel
21	Hand Wheel Nut	A194 2H

Dimensions(in)

NPS	L	D	D1	D2	b	z-φd	W
2	11.50	6.50	5.00	3.62	1.02	8-0.75	9.84
2-1/2	12.99	7.52	5.89	4.13	1.14	8-0.87	11.02
3	14.02	8.27	6.61	5.00	1.26	8-0.87	11.81
4	17.01	10.75	8.50	6.18	1.50	8-0.98	13.78
5	20.00	12.99	10.49	7.32	1.77	8-1.14	15.75
6	22.01	14.02	11.50	8.50	1.89	12-1.14	17.72
8	25.98	16.50	13.74	10.63	2.20	12-1.26	19.69

TEL:0086-579-8715288
E-mail:cnyvc@cnyvc.com

0086-579-8725688
yu@cnyvc.com

FAX:0086-579-87151442
HTTP:www.oil-fieldvalve.com