

YONG YUAN VALVE

DUCTILE IRON BALL VALVE

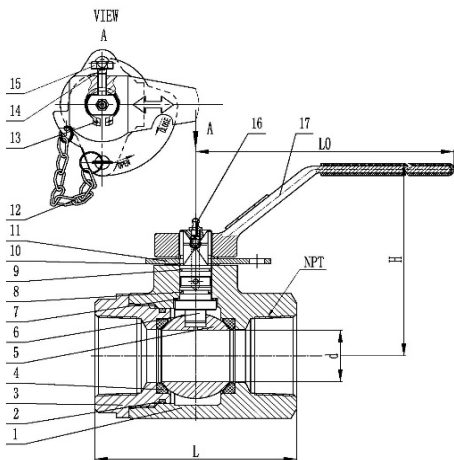
YBAD-RP SERIES



FEATURES:

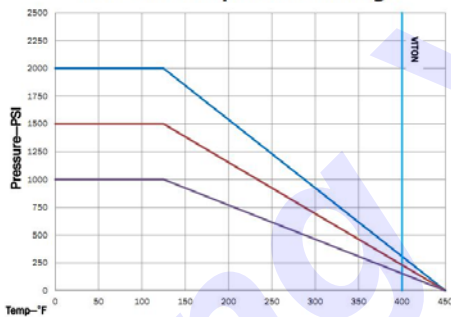
- 1000/1500/2000 W.O.G. STANDARD PORT
- DUCTILE IRON BODY
- BLOW OUT PROOF STEM
- RPTFE/DELTRIN SEAT
- INSPECTION AND TEST: API598
- THREADS CONFORM TO ASME B1.20.1(NPT)
- NACE MR-01-75

Parts & Materials



No.	Part	Material
1	BODY	ASTM A395 DI
2	BODY SEAL	VITON
3	ADAPTER	ASTM A395 DI
4	SEATS	PTFE+15%GF
5	BALL	SS420
6	STEM	ASTM A276 420
7	THRUST BEARING	PTFE
8	STEM SEAL	VITON
9	STEM SEAL	VITON
10	STEM BEARING	PTFE
11	STOP PLATE	CS+Ni
12	PIN WITH CHAIN	STAINLESS STEEL
13	RETAINER RING	SPRING STEEL
14	STOP PIN	SPRING STEEL
15	HEXAGON BOLTS	CARBON STEEL
16	GREASE ZERK	CARBON STEEL
17	HANDLE	DUCTILE IRON

Pressure Temperature Ratings



Dimensiong(in)

Size	Part#	PORT	Pressure	L	H	d	NPT	L0	Weight (lbs)	TORQUE (in·lb)
2"	YBAD09R10	RP	1000	5.51	5.58	1.50	11.5NPT	8.5	11.29	710
2"	YBAD09R15	RP	1500	5.51	5.58	1.50	11.5NPT	8.5	11.29	900
2"	YBAD09R20	RP	2000	5.51	5.58	1.50	11.5NPT	8.5	11.29	1200
3"	YBAD11R10	RP	1000	7.44	5.53	2.00	8NPT	10.0	19.44	945
3"	YBAD11R15	RP	1500	7.44	5.53	2.00	8NPT	10.0	19.44	1200
3"	YBAD11R20	RP	2000	7.44	5.53	2.00	8NPT	10.0	19.44	1625
4"	YBAD12R10	RP	1000	8.70	6.85	2.99	8NPT	13.5	35.16	2155
4"	YBAD12R20	RP	2000	8.70	6.85	2.99	8NPT	13.5	43.65	3600

*Torque at Full Rated Pressure

TEL:0086-579-8715288
E-mail:cnyvc@cnyvc.com

0086-579-8725688
yu@cnyvc.com

FAX:0086-579-87151442
HTTP:www.oil-fieldvalve.com