

YONG YUAN VALVE

TRUNNION END BALL VALVE

YFBT CLASS 600LB SERIES

Features:

- WCB Body and Adapters
- Anti blowout proof stem design
- Fire Safe graphite rings for protection against external leakage
- Valves Designed to API 6D
- Valves meet ASME B16.34 B16.10 B16.5 and BS5351
- Fire safe Certificate
- Locking Devices Standard for Lever or Gear Operated Valves
- NACE MR0175
- Emergency Seat Sealant Injection Standard On 6" Bore And Larger
- ISO 5211 Compatible Mounting Pads
- Double block and bleed
- 8" & larger valves are equipped with lifting lugs
- 2"3"4"Lever Operated 4" 6"8" Gear Operated

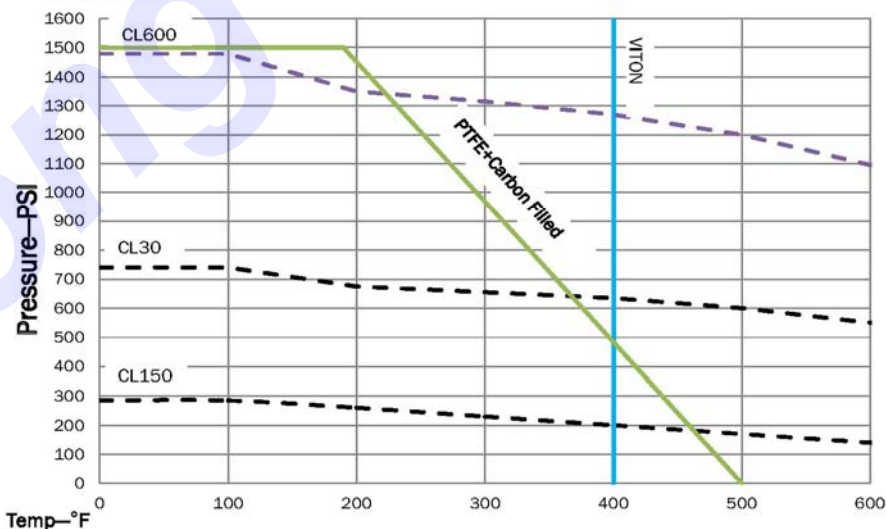


SPECIFICATIONS		
NOMINAL PRESSURE	1480Psi	10.2 Mpa
SHELL STRENGTH (WATER)	2225 Psi	15.3 Mpa
SEALING TEST (WATER)	1630 Psi	11.5 Mpa
AIR SEAT PING (AIR)	80.8 Psi	0.55 Mpa

Carbon Steel

A216 WCB
ASME B16.34 Ratings
Material Limits

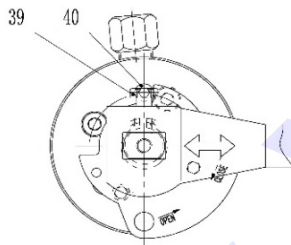
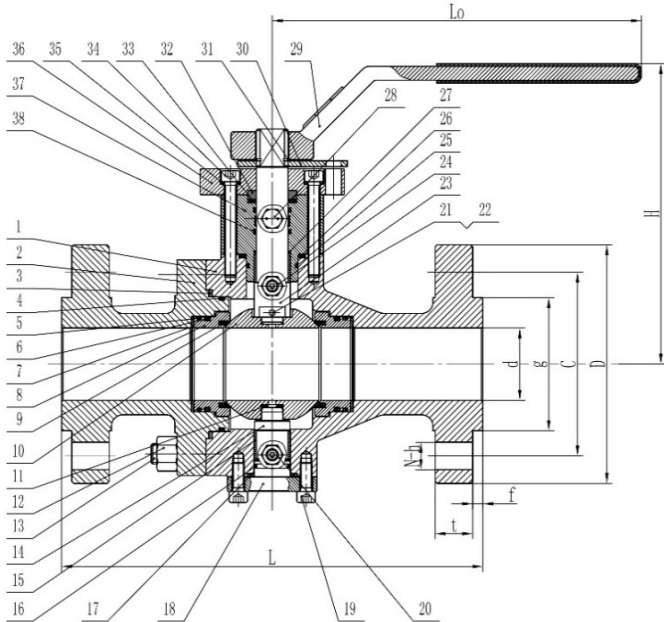
Pressure Temperature Ratings



YONG YUAN VALVE

TRUNNION END BALL VALVE

YFBT CLASS 600LB SERIES



Parts & Materials

NO.	Description	Material	NO.	Description	Material
1	Body	ASTMA216 WCB	21	Antistatic steel ball	SS304
2	Adapter Cap	ASTMA216 WCB	22	Antistatic spring	SS304
3	Gasket.Body	SS304+Graphite	23	Stem	ASTM A276 316
4	O-ring.Body	HNBR-90	24	Bleed Valve	ASTM A105
5	Spring	Graphite	25	O-ring	HNBR-90
6	O-ring.Seat	HNBR-90	26	Gasket.cap	SS304+Graphite
7	Spring	17-7PH	27	Gasket	PTFE+carbon fiber
8	Seat Ring	ASTM A182 F316	28	Seat Injection fitting	ASTM A105
9	Seat Assembly	PTFE+carbon fiber	29	Handle	Ductile Iron
10	Ball	ASTM A276 F316	30	stop Plate	CS+Ni
11	Gasket	PTFE+carbon fiber	31	Snap ring	CS
12	Nut.Body	ASTM A194 2HM	32	Gland Flange	ASTM A276 420
13	Stud.Body	ASTM A193 B7M	33	Gland Packing	Graphite
14	Trunnion	ASTM A276 316	34	Cap Screw	ASTM A193 B7M
15	Trunnion Bearing	SS304+PTFE	35	Spring washer	CS
16	O-ring.Trunnion	HNBR-90	36	Anschlussplatte	ASTM A105
17	Gasket Trunnion	SS304+Graphite	37	Top Cover	ASTM A105+Ni
18	Trunnion Plate	ASTM A105	38	O-Ring	HNBR-90
19	Lower Cap Screw	ASTM A193 B7M	39	Hexagon Bolts	CS+Zn
20	Body Vent Valve	ASTM A105	40	Cap Screw	CS

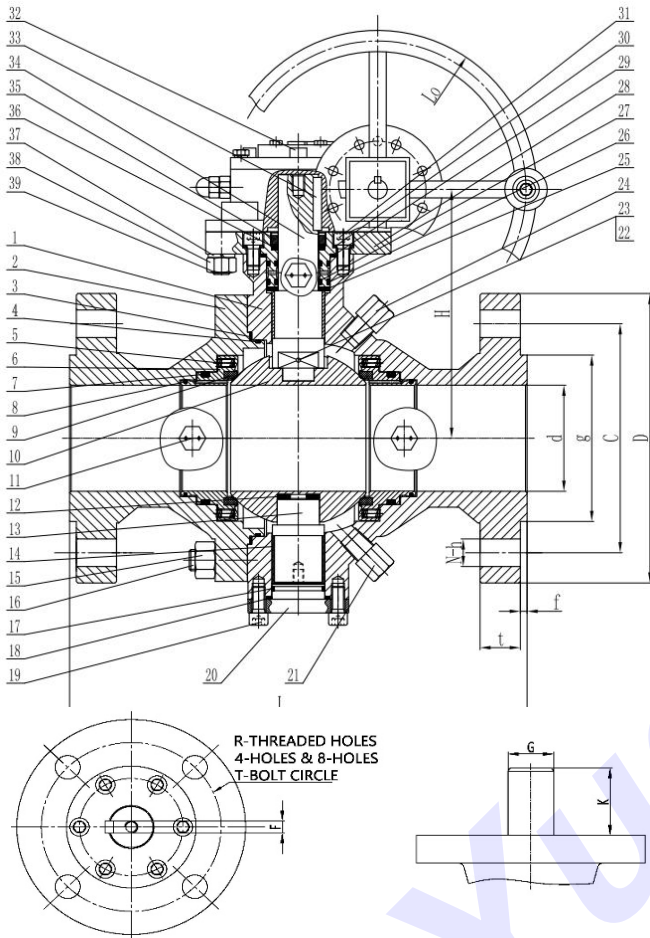
Dimensions(in)

NPS	2"	3"	4"
L	11.50	14.00	17.00
D	6.50	8.25	10.75
C	5.00	6.62	8.50
g	3.63	5.00	6.18
d	1.97	2.99	3.94
N	8	8	8
h	0.75	0.87	1.00
t	1.00	1.25	1.50
f	0.25	0.25	0.25
H	8.18	9.48	11.42
L0	12.0	20.0	37.4
Torque (ft.lb)	100	172	236
Weight (Lbs)	54	104	216

YONG YUAN VALVE

TRUNNION END BALL VALVE

YFBT CLASS 600LB SERIES



Parts & Materials

NO.	Description	Material	NO.	Description	Material
1	Body	ASTM A216 WCB	21	Body Vent Valve	ASTM A105
2	Adapter Cap	ASTM A216 WCB	22	Antistatic steel ball	SS304
3	Gasket.Body	SS304+Graphite	23	Antistatic spring	SS304
4	O-ring.Body	HNBR-90	24	Bleed Valve	ASTM A105
5	Spring	17-7PH	25	Gasket	PTFE+carbon fiber
6	Seat Ring	ASTM A182 F316	26	Gland Plate O-Ring	HNBR-90
7	O-ring.Seat	HNBR-90	27	O-ring.Stem	HNBR-90
8	Seat Fire Seal	Graphite	28	Upper cap	ASTM A105
9	Seat Assembly	PTFE+carbon fiber	29	Gasket.cap	SS304+Graphite
10	Ball	ASTM A276 F316	30	Spring Washer.cap	CS
11	Seat Injection fitting	ASTM A105	31	Cap Screw	ASTM A193 B7M
12	Gasket	PTFE+carbon fiber	32	Gear Operator	Cast Iron Case
13	Trunnion	ASTM A276 316	33	Stem Key	CS
14	Trunnion Bearing	SS304+PTFE	34	Stem	ASTM A276 316
15	Nut.Body	ASTM A194 2HM	35	Gland Flange	SS410
16	Stud.Body	ASTM A193 B7M	36	Gland Packing	Graphite
17	O-ring.Trunnion	HNBR-90	37	Spring Washer	CS
18	Gasket Trunnion	SS304+Graphite	38	Nut	ASTM A194 2HM
19	Lower Cap Screw	ASTM A193 B7M	39	Stud	ASTM A193 B7M
20	Trunnion Plate	ASTM A105			

Dimensions(in)

NPS	4"	6"	8"
L	17.00	22.00	26.00
D	10.75	14.00	16.50
C	8.50	11.50	13.75
g	6.18	8.50	10.63
d	3.94	5.91	7.91
N	8	12	12
h	1.00	1.14	1.25
t	1.50	1.88	2.19
f	0.25	0.25	0.25
H	9.24	12.00	13.50
R	4-0.71	4-0.91	8-0.71
T	5.51	6.50	8.86
G	1.496	1.772	2.165
F	0.472	0.551	0.630
K	2.138	2.705	2.756
L0	12.6	18.0	18.0
Torque (ft.lb)	236	664	1310
Weight (Lbs)	241	481	753