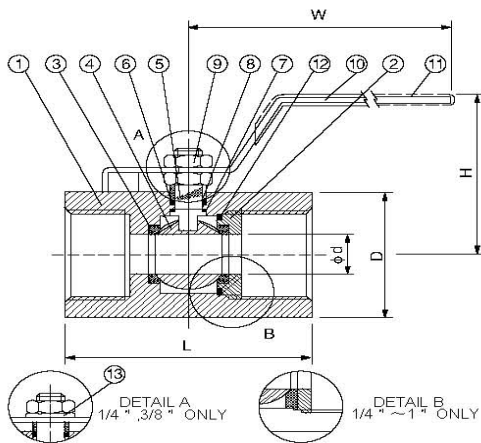


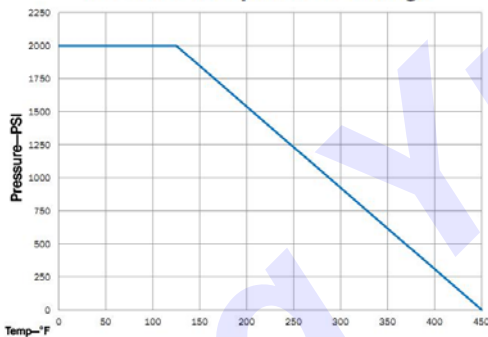
YONG YUAN VALVE

1PC BAR STOCK BALL VALVE

YBFC SERIES



Pressure Temperature Ratings



Dimensions(in)

NPS	RART#	φd	D	L	H	W	Weight (lbs)	TORQUE (in·lb)
1/4	YBFC02R20	0.20	0.83	1.70	1.25	2.63	0.29	42
3/8	YBFC03R20	0.28	0.98	1.86	1.33	2.63	0.44	42
1/2	YBFC04R20	0.36	1.18	2.46	2.19	4.65	0.71	49
3/4	YBFC05R20	0.49	1.42	2.75	2.42	4.65	1.19	73
1	YBFC06R20	0.63	1.81	3.38	2.57	4.72	2.09	113
1-1/4	YBFC07R20	0.79	2.17	3.69	2.90	5.75	3.09	253
1-1/2	YBFC08R20	0.96	2.40	4.00	3.10	5.75	3.75	288
2	YBFC07R20	1.26	2.95	4.50	3.54	6.00	6.13	391

Features:

- 1-piece body, hexagon type
- Threaded ends to ANSI B1.20.1(NPT)
- Acc to ANSI B16.34,NACE MR-01-75
- 2000WOG;Reduced bore
- Test API598

Parts & Materials

No.	Part	Material
1	BODY	ASTM A108
2	CAP	ASTM A108
3	SEAT	RPTFE
4	BALL	SS420
5	STEM	SS316
6	PACKING	RTFE
7	THRUST WASHER	RTFE
8	PACKING GLAND	SS304
9	NUT	A2-70
10	HANDLE	SS201
11	HANDLE COVER	PVC
12	GASKET	RTFE
13	SPRING WASHER	SS304