

# YONG YUAN VALVE

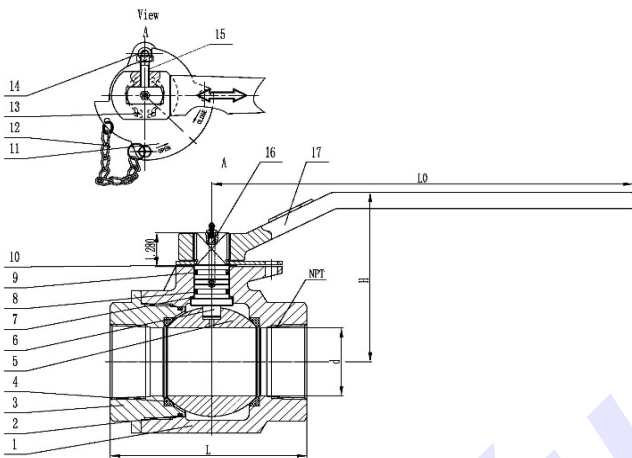
## CARBON STEEL BALL VALVE

### YBAC-FP SERIES



#### FEATURES:

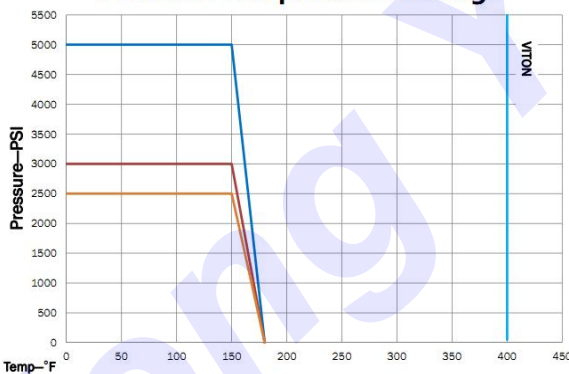
- 2500/3000/5000 W.O.G.FULL PORT
- CAST STEEL BODY
- BLOW OUT PROOF STEM
- DELRIN SEAT
- INSPECTION AND TEST:API598
- THREADS CONFORM TO ASME B1.20.1(NPT)
- NACE MR-01-75



#### Parts & Materials

No.	Part	Material
1	BODY	ASTM A216 WCB
2	BODY SEAL	VITON
3	ADAPTER	ASTM A216 WCB
4	SEATS	DELRIN
5	BALL	SS420
6	STEM	ASTM A276 420
7	THRUST BEARING	PTFE
8	STEM SEAL	VITON
9	STEM SEAL	VITON
10	STEM BEARING	PTFE
11	STOP PLATE	CS+Ni
12	PIN WITH CHAIN	STAINLESS STEEL
13	RETAINER RING	SPRING STEEL
14	STOP PIN	SPRING STEEL
15	HEXAGON BOLTS	CARBON STEEL
16	GREASE ZERK	CARBON STEEL
17	HANDLE	DUCTILE IRON

Pressure Temperature Ratings



#### Dimensions(in)

Size	Part#	PORT	Pressure	L	H	d	NPT	L0	Weight (lbs)	TORQUE (in·lb)
1"	YBAC06L50F	FP	5000	4.03	3.43	1.00	11.5NPT	6.7	4.74	1500
2"	YBAC09L30F	FP	3000	6.00	5.51	2.00	11.5NPT	10.0	18.65	2350
2-1/2"	YBAC10L30F	FP	3000	7.00	6.35	2.56	8NPT	15.0	33.07	3200
3"	YBAC11L30F	FP	3000	8.72	7.39	3.00	8NPT	20.0	54.65	4100
4"	YBAC12L30F	FP	3000	9.37	9.76	3.94	8NPT	31.5	83.22	8100

\*Torque at Full Rated Pressure

TEL:0086-579-8715288  
E-mail:cnyvc@cnyvc.com

0086-579-8725688  
yu@cnyvc.com

FAX:0086-579-87151442  
HTTP:www.oil-fieldvalve.com